

F-1 Video Field Recorder

HDV DV 2+2ch AUDIO USB 2.0 i.LINK



The EDIROL F-1 provides reliable, high quality capture of both video and audio when you need it most: out in the field where every shot counts.

Shock-resistant floating HDD
for secure & stable recording despite shocks and vibrations

Removable HDD
provides hours of recording in the field

Seamless 9 hours
recording with external battery

Additional 2 Channels of Audio
recording in hi-quality linear PCM WAV

Remote Control of Multiple Units
via LAN for managing multi-camera shoots or remote locations

Seamless and reliable HDV/DV capture to removable HDD for hours of worry-free recording

High-Capacity HDV/DV capture simplifies and accelerates your workflow

The i.LINK connection to your camera provides easy capture of HDV or DV. Begin editing immediately directly off the HDD or enjoy smooth and speedy transfer of recorded data to your NLE system. Continue to use the camera's tape mechanism as an affordable/compact backup media.

Removable HDD provides hours of recording in the field

A removable hard drive is the recording media inside the F-1. Remove the full drive and editing or transfer can begin immediately by simply connecting it to your computer via bus-powered USB. Additional drives (F1-HD120) can be purchased for continued recording while other drives are in use elsewhere.

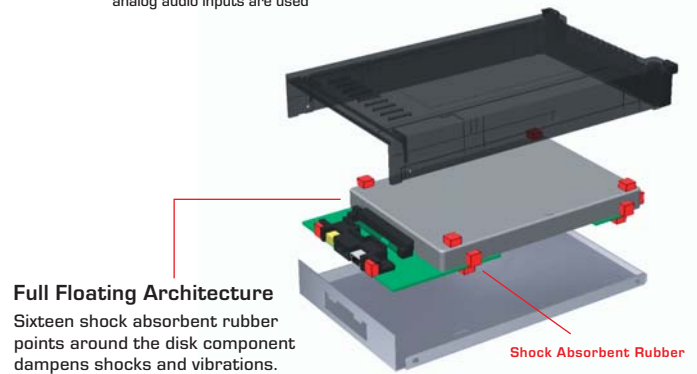
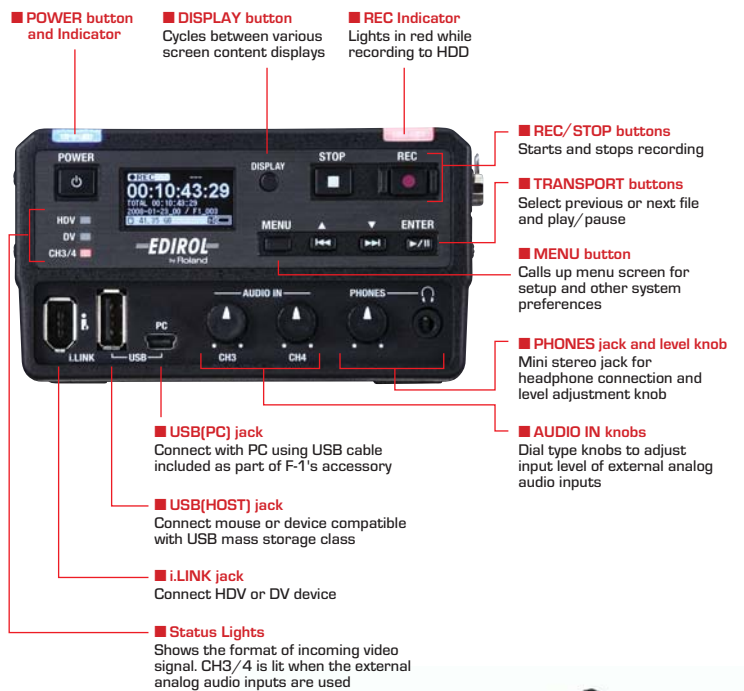


Seamless Recording up to full HDD Capacity

The NTFS file format allows recording up to the maximum disk capacity without a file limitation of 2GB or 4GB. You can record up to 9 straight hours with the 120GB HDD.

Worry-Free Recording with Shock-Resistant Floating HDD

To protect the disk from the inevitable rigors of field use, the F-1's removable hard drive employs full floating HDD mount architecture with shock absorbent rubber that effectively dampens vibrations and shocks. Enjoy worry-free recording in locations where loud & heavy PA sounds or shocks from rough road surfaces might otherwise present capture problems.



Additional Two Audio Inputs for Less Equipment and Better Sound

Two Independent Audio Channels of Hi-Quality Linear PCM

The F-1 is equipped with two independent analog audio inputs. This enables simultaneous recording of stereo audio from an audio mixer/console or two microphones. On-mic recording of a reporter or interviewer is possible without having to use an external mixer/recorder. Alternatively, you can use the two additional channels to capture ambient sounds at your shoot or put a mic on yourself and record real-time commentary on material as it is being shot. The F-1 records its audio inputs in linear PCM broadcast WAV (BWF) at 16-bit/48kHz, so you can be assured of high quality sound capture.

Phantom Power Supply

The F-1's built-in phantom power supply for sensitive condenser mics provides further improvement of your audio tracks.

Three Types of Power Supply Options

The F-1 can be operated with 3 types of power: AC adaptor, external battery and AA batteries. The AA battery power pack supplies seamless failover of power in the event your external battery or AC supply should weaken or fail.



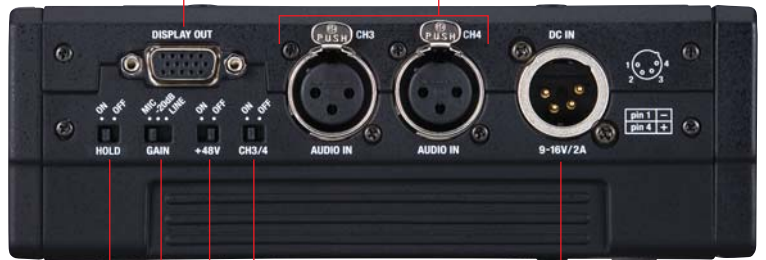
Thumbnail Display on External Monitor

Recorded clips can be shown as thumbnails on an external computer monitor using the 15-pin D-Sub output jack of the F-1. This enables last minute previewing to prevent "missed-shots" without the need to connect to a computer. Additionally you can control, setup and view the status on the same display. A mouse port for intuitive and quick control is provided via the front USB port.



■ **DISPLAY OUT jack**
Shows recorded clips as thumbnails on external display

■ **AUDIO IN jacks (CH3/4)**
XLR type audio inputs for connection with mics or other audio devices



■ **HOLD Switch**
Locks control switches including Power and REC/ Stop to prevent inadvertent button presses

■ **CH3/4 Switch**
Turn On/Off external audio input

■ **DC IN jack**
Use to supply DC power from external battery or AC adaptor

■ **+48V Switch**
Turn On/Off +48V phantom power supply

■ **GAIN Switch**
Select audio input gain

Directly Capture Output from an Audio Mixer or Console



Clear Voice Capture from On-Mics



Backup and Transfer via USB. Control Multi-Camera Shoots or Locations with Remotely Controlled F-1 Units

Quick Backup of Recorded Data to USB Devices

The F-1's USB port provides on-site connection to USB devices like flash memory or external hard drives for quick backups. Copy time is shorter than real-time, offering speedy transfers of recorded data to your editing suite.



Recorded Data can be copied via LAN

The F-1's LAN port provides an Ethernet connection to your home or office network. The data in the F-1's HDD can be copied over the network to multiple computers with simplicity and ease.

Remote Control via LAN enables Multi-Camera Shoots with Minimal Staff

A PC installed with the dedicated control software* can remotely control the record Start/Stop functions as well as the menu settings of an F-1 in a remote location. You can run an Ethernet cable (up to 100 meters and 200 meters when using a hub) and control multiple F-1 units from your computer. Operators can now control multi-camera shoots with minimal staff and in remote locations.



* Control software is a free download available at www.rolandsystemsgroup.net



LAN port
For connection with computer via LAN cable. Enables remote control or copy of recorded clips to computer



Remote Control of multiple F-1 units via LAN

- Remote Control Start/Stop of RECORD function
- Remote Control of Menu Settings
- Simple cable split with standard Ethernet Hub

Simplifies your multi-camera shots in various locations

▲ Wedding	▲ Education	▲ Sport

Free and Convenient F-1 Utility Software

Free downloadable software with 2 modes for quick clip preview and cutting.

● **Browser Mode:** Browser Mode enables previewing of video along with the matching four channels of audio. File management functions such as Move, Copy, Delete, etc. can be executed from the Browser Mode.

● **Editor Mode:** Editor Mode is used for quick cut editing of recorded clips. The non-stop editing function enables efficient assembling and reviewing of your cuts' timing immediately after recording.

(*Scheduled release Fall 2008)

Free download from www.rolandsystemsgroup.net

Microsoft® Windows Vista®/Windows® XP



▲ Browser



▲ Editor

Optional Items

V-Mount Kit

F1-VMK1

The adaptor kit makes the F-1 mountable to any V-Mount compatible video camera. It can mount together with an external battery that supplies power to both the F-1 and your camera.

* Solutions for other battery mounting devices are being investigated at this time.



Removable Hard Disk

F1-HD120

120GB removable hard disk providing up to 9 hours of seamless recording.

* The capacity and model name is subject to change.
* An F1-HD120 is included with each F-1 purchase.



Carrying Bag

CB-F1

Dedicated carrying bag with shoulder strap and multiple accessibility flaps for safe, comfortable use in the field.



The "Field Oriented" design concept of this Recorder will streamline your video production workflow.

Being "Field Oriented" is at the heart of the EDIROL F-1 design. Features like a shock-resistant floating HDD, two channels of additional audio inputs, multiple power supply options, remote control via LAN, on-site review of clips, unlimited file size, and a number of additional innovative functions will streamline your recording and post-production activities.

F-1 Video Field Recorder

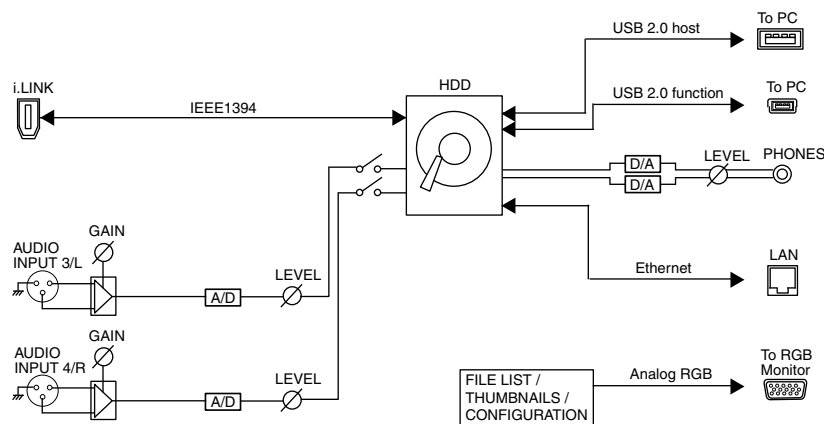
HDV DV 2+2ch AUDIO USB 2.0 i.LINK



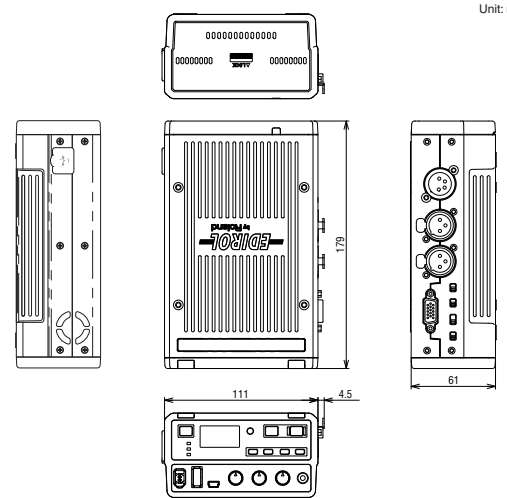
Specifications

Video Recording Format	HDV (.m2t), DV (.dv)	Power Supply	DC 9 V (AC Adaptor) * 9-16V 2.0A or HR15/51 x 8 or LR6 (AA) x 8	
Audio Recording Format	WAV (Supports BWF) Sampling : 16-bit/48kHz	Max Operation time	Nickel Metal Hydride Battery x 8 : Approx 2 hours Alkaline Dry Battery x 8 : Approx 30 minutes External Battery (IDX Endura10 Li-Ion Battery) : Approx 10 hours * These operation times are approximate. Actual time may vary somewhat.	
Audio Control	Switch: Gain (MIC/-20dB/LINE), Phantom Power +48V (ON/OFF) Volume: Ch3 Input, Ch4 Input, Headphones			
Audio Input Impedance	4 k ohms	Current Draw	1,500 mA	
Headphones Output Impedance	16 ohms	Dimensions	111 (W) x 179 (D) x 61 (H) mm 4-3/8 (W) x 7-1/6 (D) x 2-3/8 (H) inches	
Headphones Output Level	45 mW	Weight	870 g / 1 lb 15 oz (including HDD, excluding AC Adaptor and batteries)	
Recording Media	Hard Disk Drive (120 GB) * removable unit	Accessories	Owner's manual, AC Adaptor (PSB-1U), Conversion cable (AC Adaptor — 4pin XLR type), Power Cord, F1-HD120 removable HDD (120GB) x 1, Battery Pack, USB Cable (Y type), Ferrite Core x 2	
Max Recording time	Approx 9 hours (F1-HD120 as recording media, without audio)	Free Software (downloadable from www.rolandsystemsgroup.net)	F-1 Utility / F-1 Remote Control System Requirements : OS : Windows XP / Vista CPU : Core2Duo 2GHz or higher RAM : 2GB or larger Display Resolutions : 1024 x 768 pixels or higher Others : USB Ports	
Input/Output Jacks	Front Panel			i.LINK : 6-pin type conforms to IEEE1394 USB A Type (For USB Storage device, USB Mouse) * Supports 2.0 Hi-Speed USB mini B Type (For Computer) * Supports 2.0 Hi-Speed
	Right Side Panel			Display Output : 15-pin mini D-sub Type (Analog RGB, 800x600 fixed resolution) Audio Input (Ch3/4) : 3-pin XLR Type x 2 DC Input : 4-pin XLR Type
	Left Side Panel	LAN : RJ45 Type (Ethernet 10/100Base-Tx)		
Display	128 x 64 dots (Organic LED)	Optional Items	F1-HD120 (120GB Removable HDD), F1-VMK1 (V-Mount kit), CB-F1 (Carrying Bag)	

Block Diagram



Dimensions



Unit: mm

Optional Items



V-Mount Kit

F1-VMK1



Removable Hard Disk

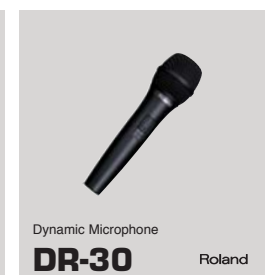
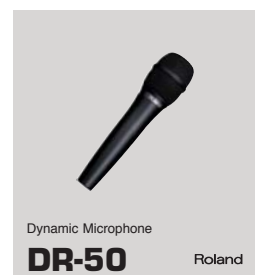
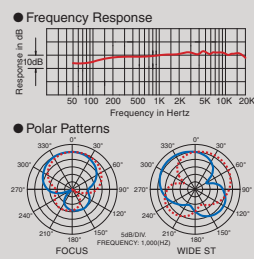
F1-HD120

* An F1-HD120 is included with each F-1 purchase.



Carrying Bag

CB-F1



● Microsoft and Windows are registered trademarks of Microsoft Corporation. Windows® is known officially as : "Microsoft® Windows® operating system." Windows Vista is a registered trademark of Microsoft Corporation. ● All product names mentioned in this document are trademarks or registered trademarks of their respective owners.

EDIROL
by Roland

Roland
Systems Group

www.edirol.com/f1

All specifications and appearances are subject to change.
All trademarks used in this catalog are the property of their respective companies.

April 2009 RSG US GEN